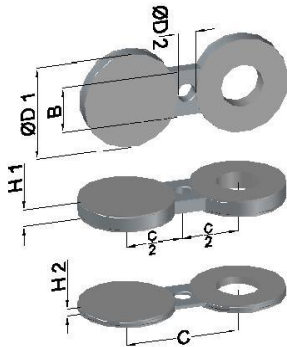


LINED BLANKS AND LATERAL TEE

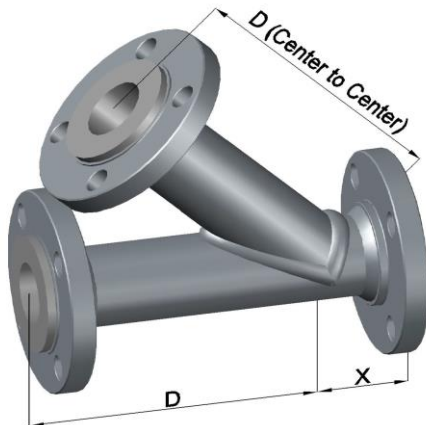
SPECTACLE BLANK



NB #150	D1 mm	D2 mm	B mm	C mm	H1 mm	Wt kg	H2 mm
½"	44	16	35	60	14	0.2	8
¾"	53	16	35	70	14	0.2	8
1"	63	16	35	78	14	0.3	8
1½"	82	16	50	98	14	0.4	8
2"	101	19	50	121	14	0.6	8
3"	133	19	60	152	14	0.9	8
4"	171	19	60	191	18	1.6	10
6"	219	22	60	241	18	3.7	10
8"	276	22	70	298	21	5.6	
10"	336	26	70	362	21	10.7	
12"	406	26	70	432	23	15.5	

Picture for illustration only, type of steel fabrication varies

LATERAL TEE 45 DEG



NB #150	D mm	X mm	Wt kg
1"	146	44	3.7
1½"	178	51	6.5
2"	203	64	10
3"	254	76	21
4"	305	76	30
6"	368	89	52

Picture for illustration only, type of steel fabrication varies

